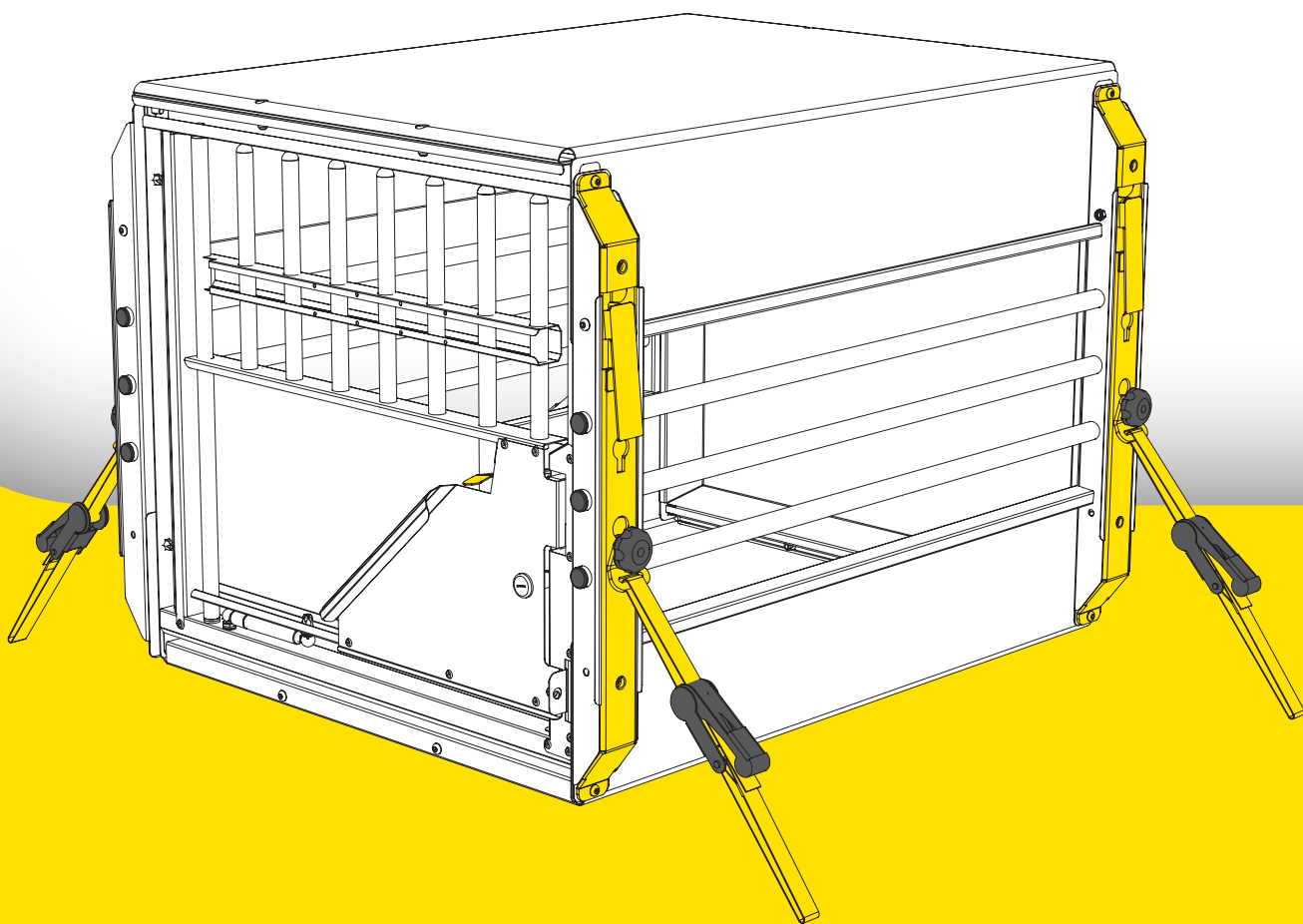


mimSAFE

www.mimsafe.se



ASSEMBLY INSTRUCTIONS

MULTICAGE

single



IMPORTANT

GENERAL

MultiCage is made for transport of dogs in vehicle. The cage is made of splinter proof and energy absorbing materials.

It has undergone rigorous crash tests it's design-protected and made of galvanized steel painted with a very weather-resistant polyurethane paint suitable for its use. The design reduces the risk of injury and the choice of material eliminates the risk of splitting damage and gives the cage its energy absorbing characteristics. The product comes with ratchets and anchoring hooks with quick lock to simplify the installation in the vehicle. Practical retractable lifting handles and lockable door with gas spring helps holding the door open when needed.

BEFORE YOU BEGIN

Ensure that you work on a flat surface. If the cage is assembled indoor protect the floor with a blanket or carpet to avoid damaged during assembly.

Read the instruction carefully before you begin, it gives you a better understanding when you work step by step during the assembly.

You can assemble the cage by yourself but it helps a lot to be two during some of the assembly steps.

RECOMMENDED AREA OF USE

MultiCage is suitable for transport vehicles, motorhomes, vans and pickups with proper cargo loops. It's not intended to be installed behind the rear seat in a station wagon.

If the cage is installed behind the rear seat in a VAN, make sure you don't interfere with the vehicle's deformation zone.

CRASH TEST

This model is crash tested at

Rise Research Institutes of Sweden AB

Frontal Impact test of a Multi Cage dog crate according to ECE Regulation No. 17

Test protocol is available from the manufacturer on request.

DAILY INSPECTION

- Make sure the dog cage is intact
- That there is no sharp edges
- That the door lock works
- Check that it is attached to the vehicle's cargo loops

CLEANING

Use a soft cloth with water and mild soap.

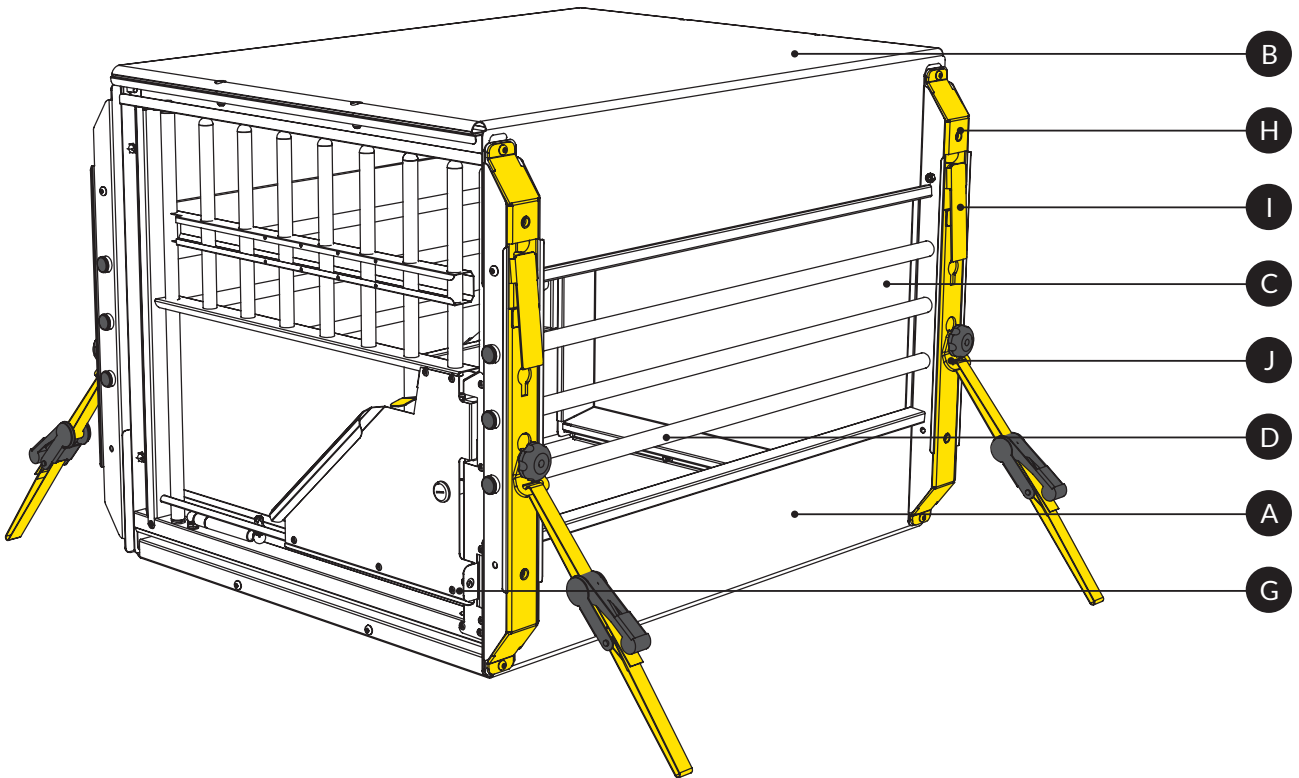
The story of MIMsafe

For more than 30 years, MIMsafe has worked with functional design and manufacturing of safety products for the modern automotive industry. With documentation from hundreds of crash tests and in close collaboration with the major car manufacturers, safe products have been developed and transformed into knowledge. Under the well-known brand name MIMsafe, we have become the leading manufacturer of crash tested and crush proofed non-whiplash dog cages all over the world.



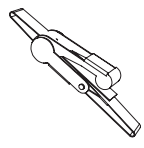
MANUFACTURER

MIM Construction AB
Myren 125
SE-462 94 Frändefors
Sweden

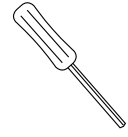
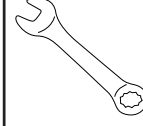
+46 10 55 00 450
info@mim.se
www.mimsafe.com



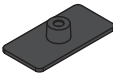


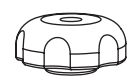


BAG

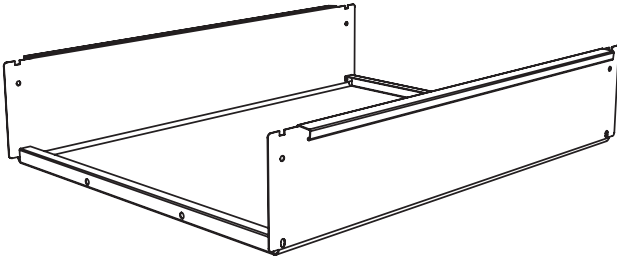
<p>M-SM6x14IA 24X</p> 	<p>IKP1915-17S 6154C - 8X 6160C - 12X 6175C - 20X</p>  <p>plastic end caps</p>	<p>M-10520 4X</p> 
---	---	---

INCLUDED TOOLS

<p>ALLEN KEY DRIVER 1X</p> 	<p>Combination spanner 1X</p> 
---	---

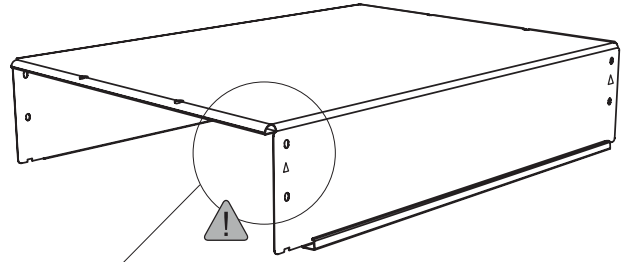
<p>M-SM6x55-IK 4X</p> 	<p>M-MM6NyS 4X</p> 	<p>M-460641D 4X</p>  <p>rubber</p>
---	--	---

<p>M-460641I 4X</p> 	<p>M-BR8x19x1,5S 4X</p> 	<p>M-VBM8x20S88 4X</p> 
---	---	--



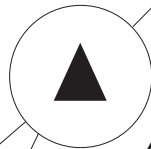
A Floor

6154A 6160A 6175A	1X
Product no	No of items

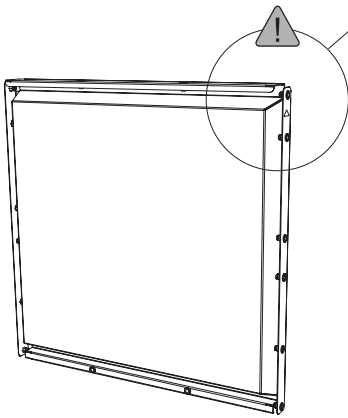


B Roof

6154E 6160E 6175E	1X
Product no	No of items

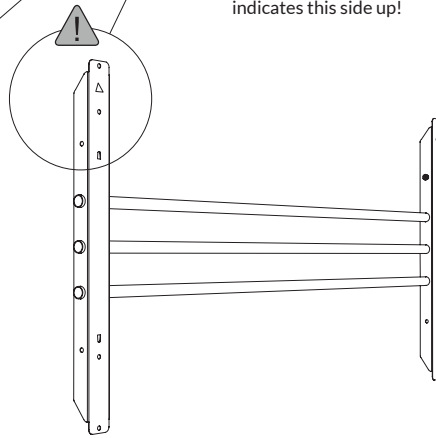


IMPORTANT
Notice the triangle mark,
indicates this side up!



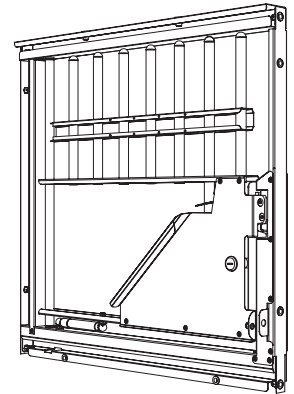
C Divider panel

6254J 6260J 6275J	1X
Product no	No of items



D Sidebars

6154C 6160C 6175C	2X
Product no	No of items



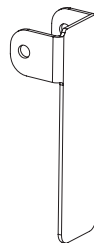
G Door section

6254I 6260I 6275I	1X
Product no	No of items



H Frame bar

6254N 6260N 6275N	4X
Product no	No of items



I Handle

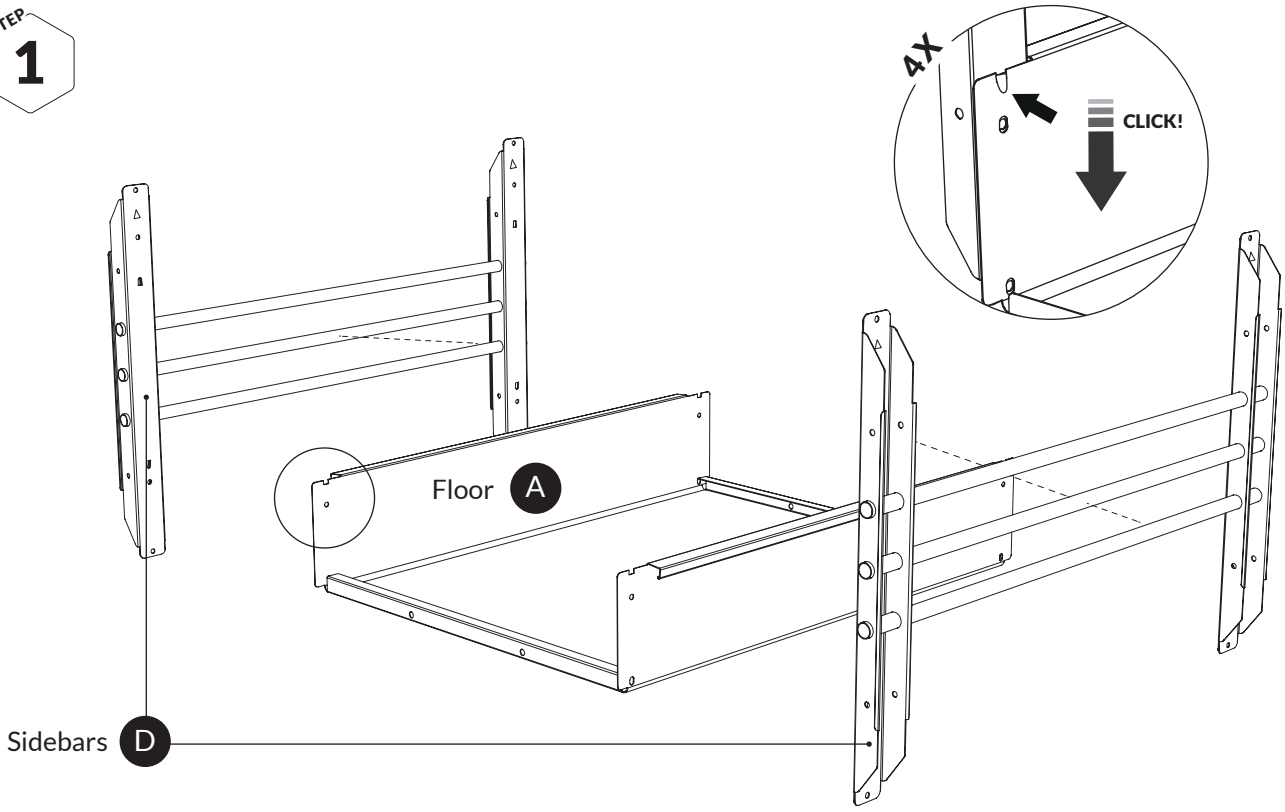
6260P	4X
Product no	No of items



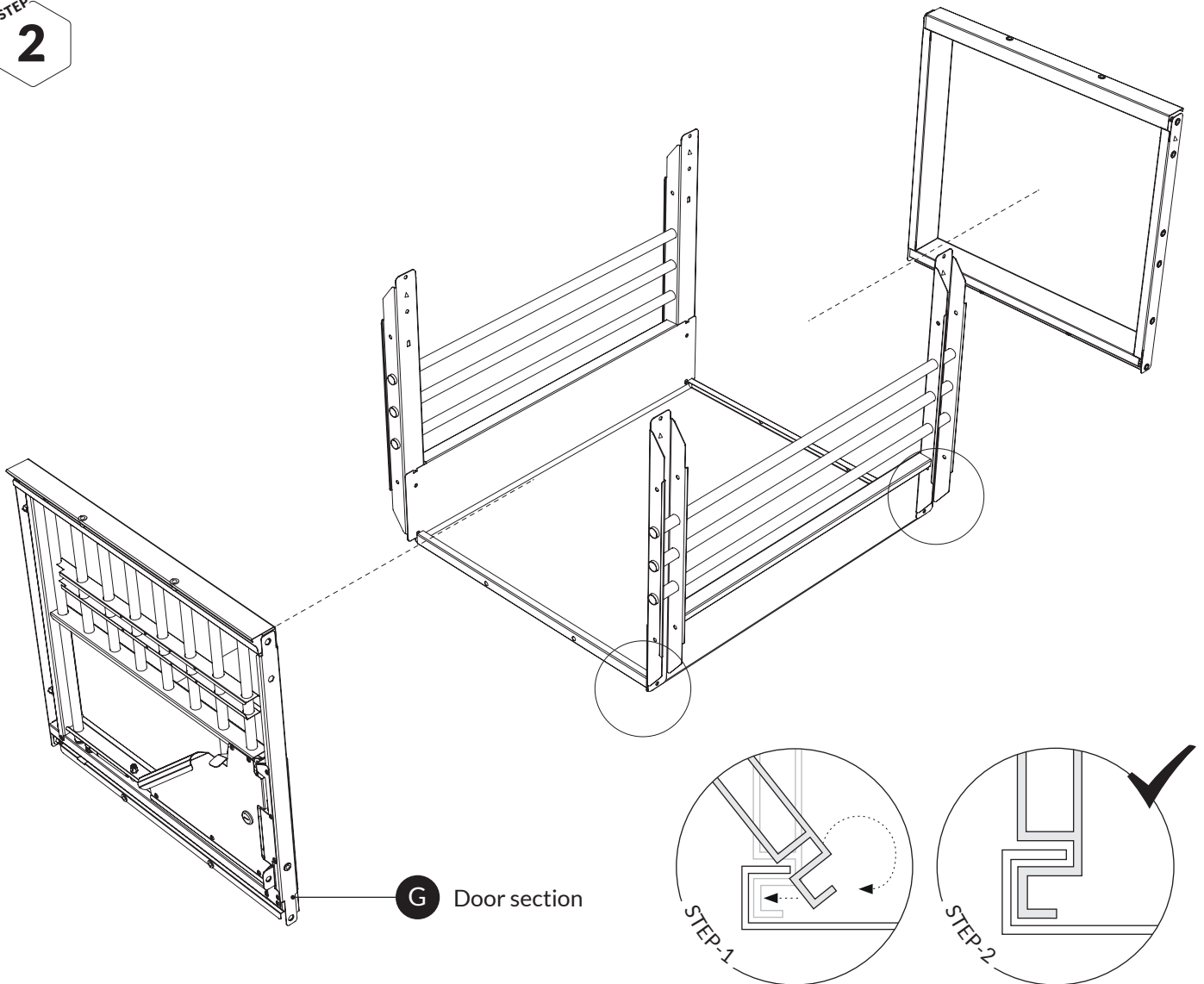
J Anchor

6260R	4X
Product no	No of items

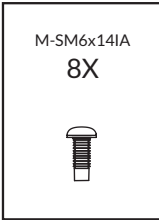
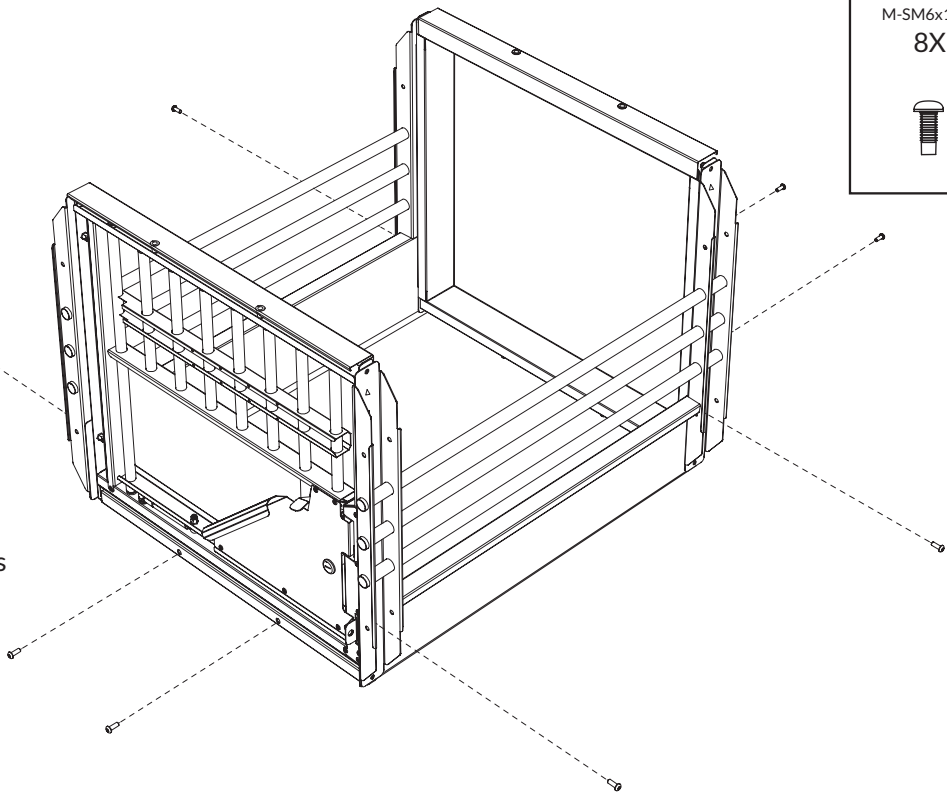
STEP
1



STEP
2

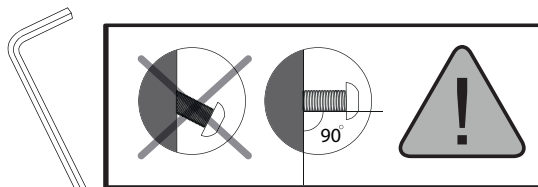


STEP
3

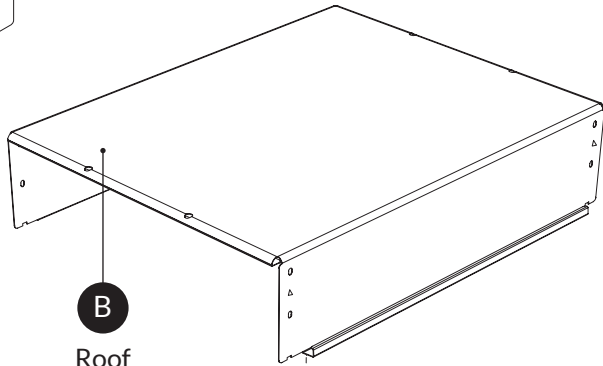


IMPORTANT

Gently insert all the screws
before tightening



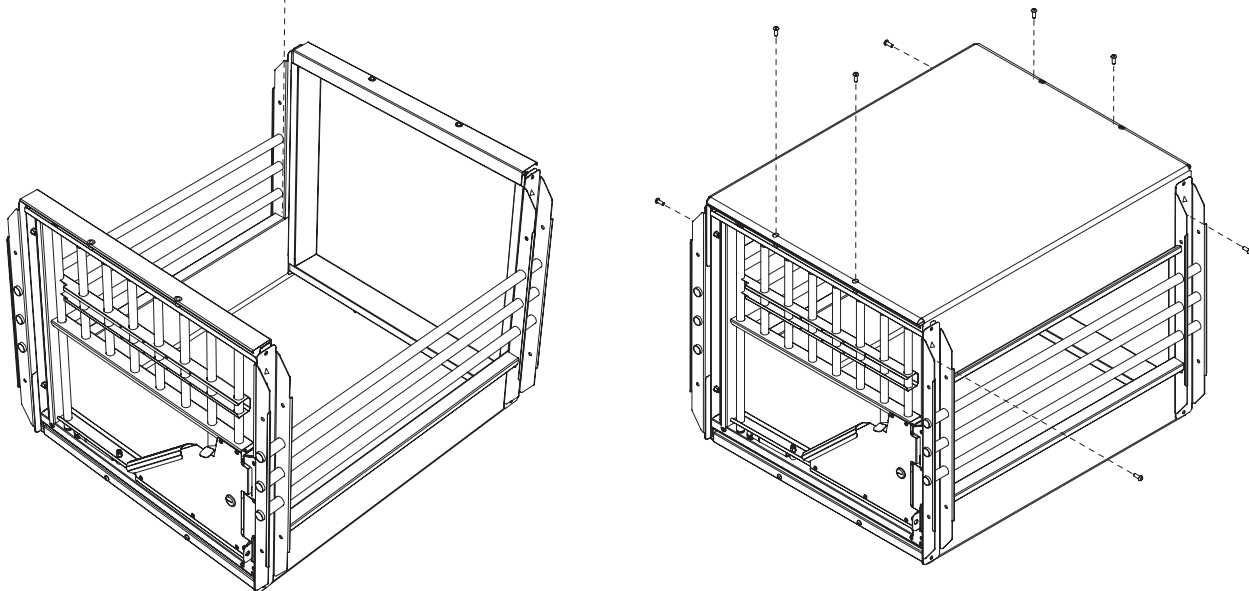
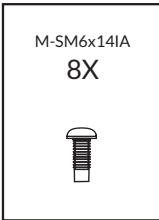
STEP
4



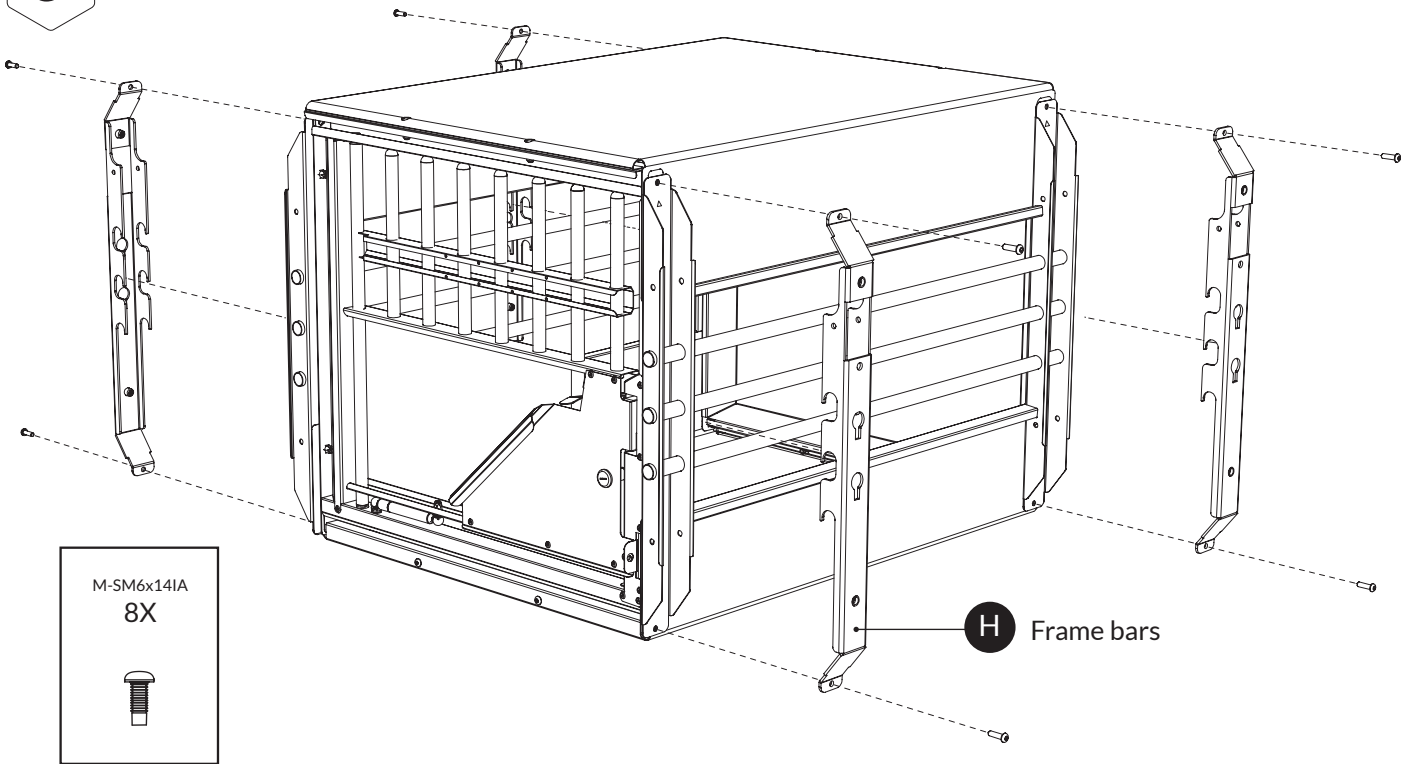
B
Roof



IMPORTANT
Gently insert all the screws
before tightening



STEP
5

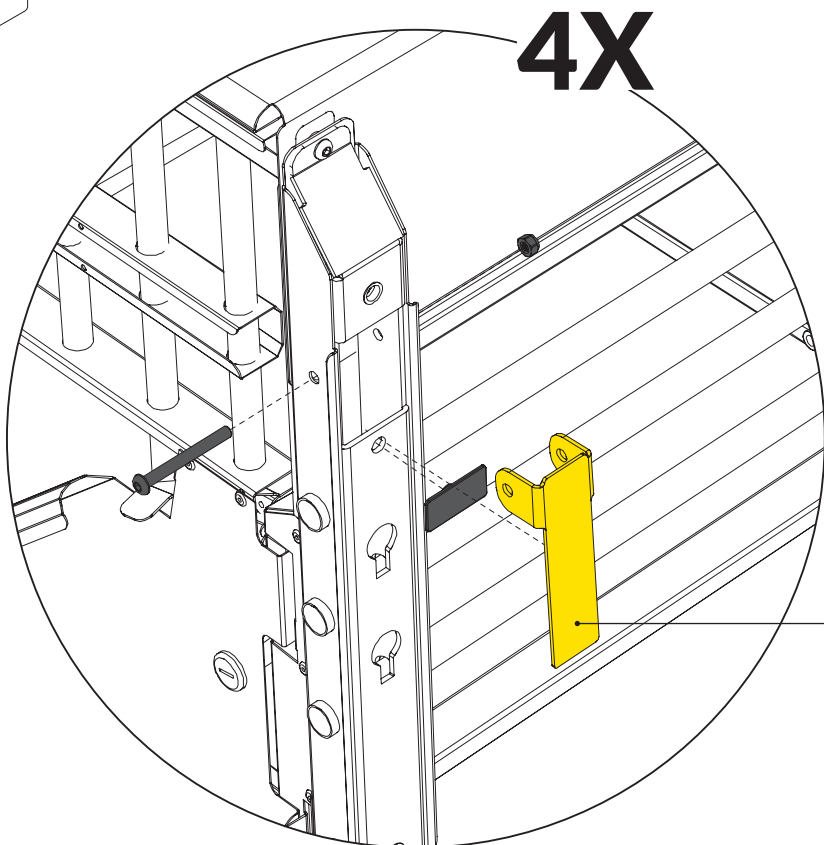


M-SM6x14IA
8X

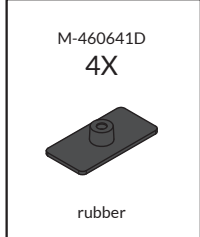
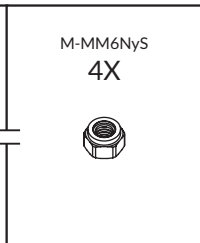
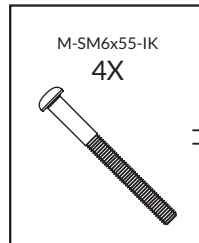


H Frame bars

STEP
6

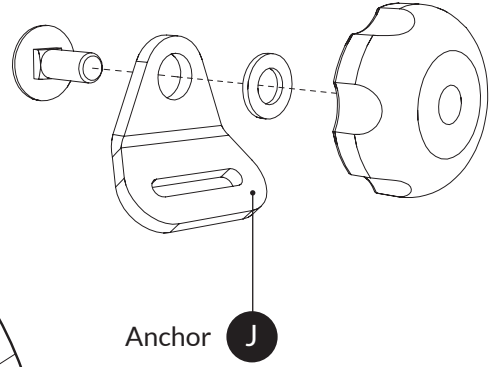
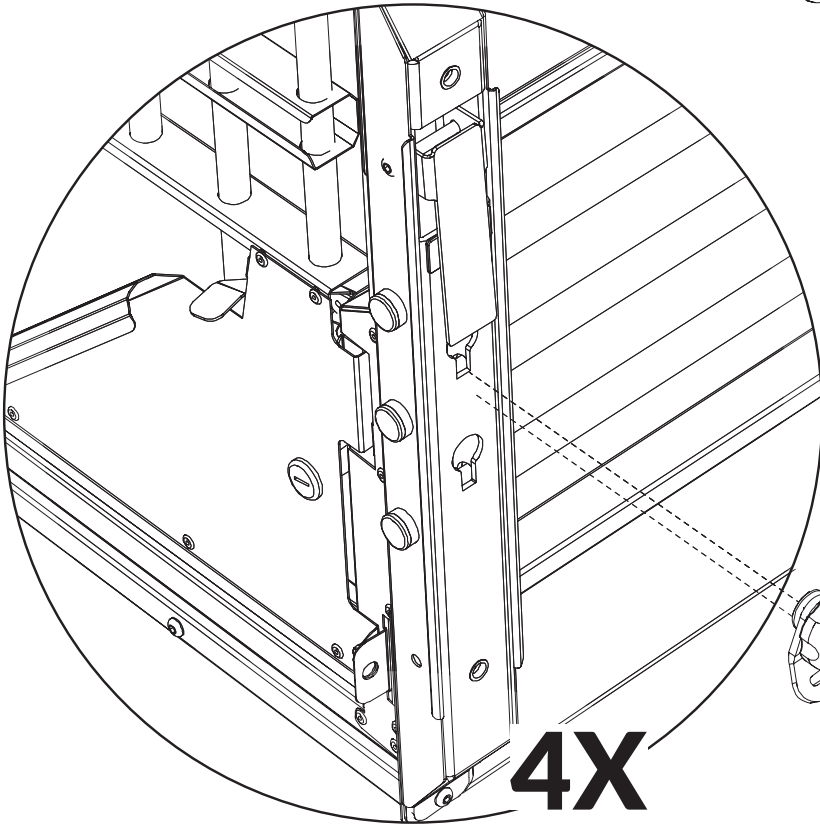


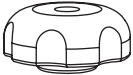


4X



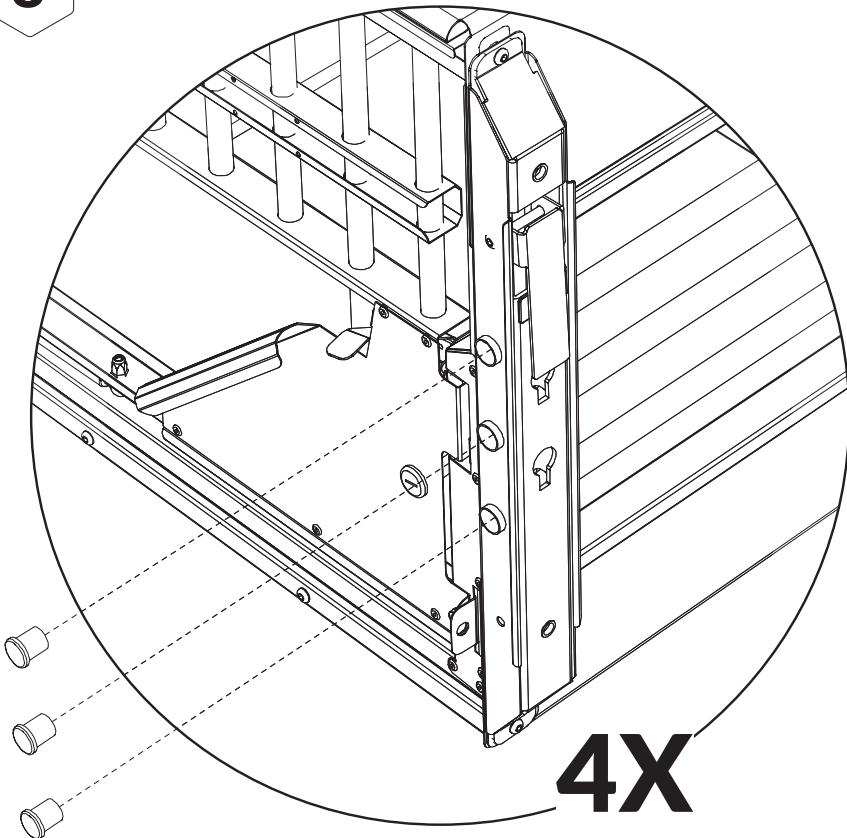
H Handle


STEP
7



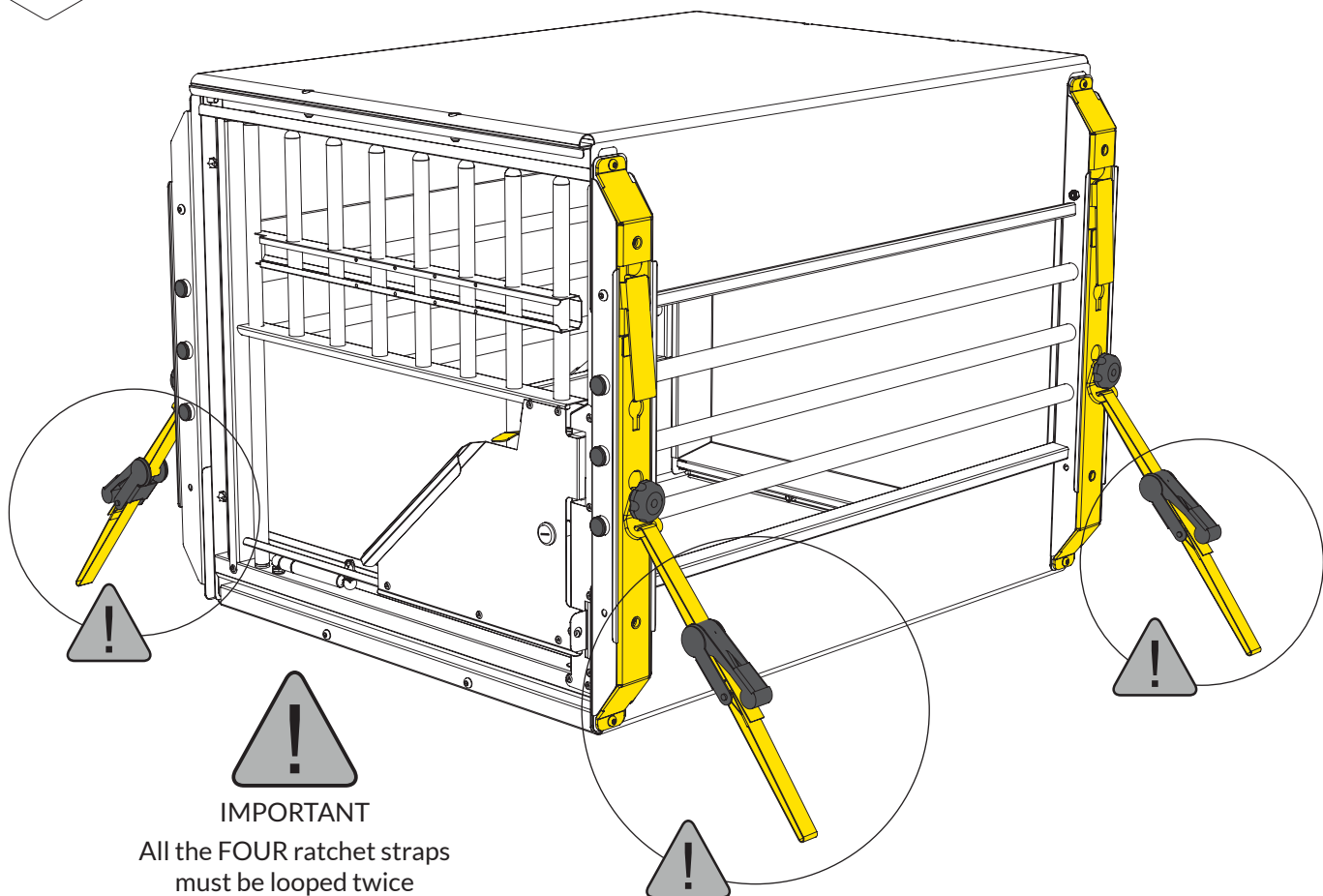
M-460641 4X 	
M-BR8x19x1,5S 4X 	M-VBM8x20S88 4X 

STEP
8

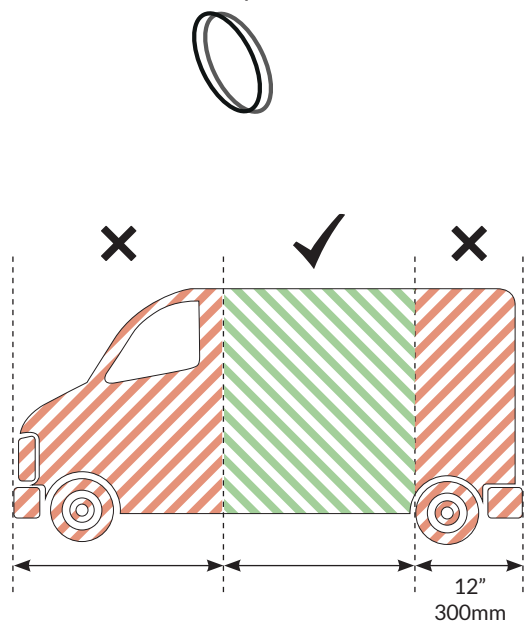


IKP1915-17S
6154C - 8X
6160C - 12X
6175C - 20X

plastic end caps

STEP
11



IMPORTANT
All the **FOUR** ratchet straps
must be looped twice



Where to place the MultiCage

